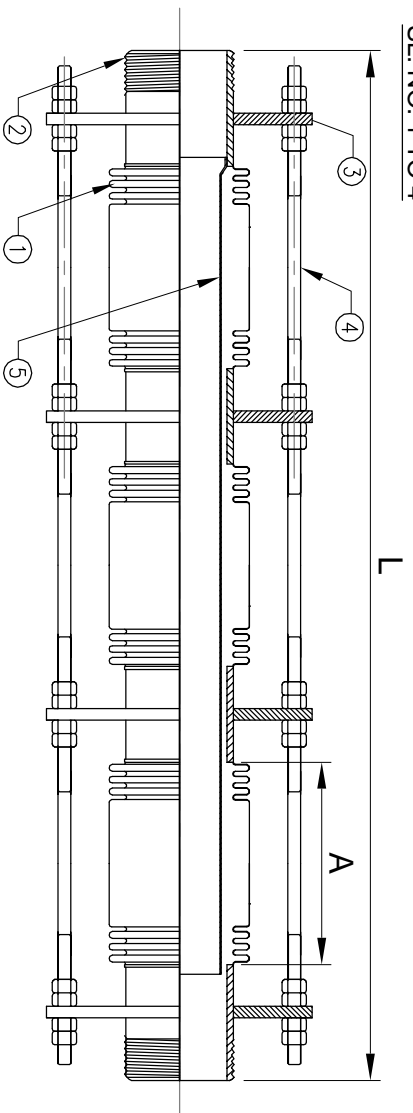
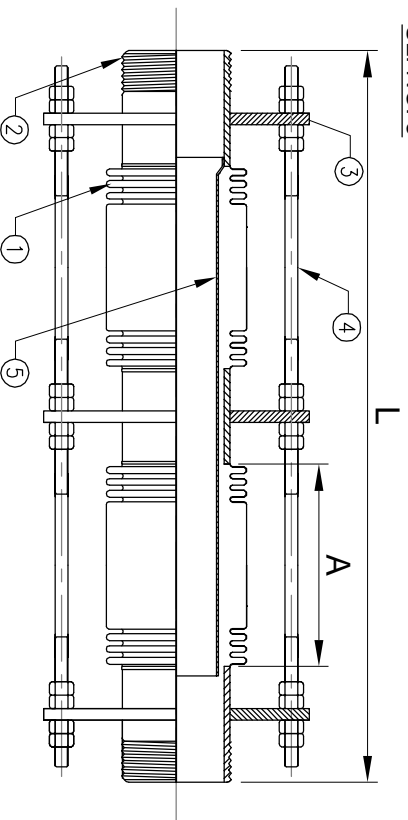


SL. NO. 1 TO 4



SL. NO. 5



Model - SSEJ-250T-SG
THREADED ENDS - BSPP / NPT

WORKING PRESSURE : 25 bar
WORKING TEMPERATURE : -50°C to +450°C
AXIAL MOVEMENT : + / - 50mm

WARNING : - Control units must be used to protect this part from excessive movement if piping is not properly anchored.



MODEL - SSEJ-250T-SG
[TWO BELLOW TYPE]
ABOVE PICTURE IS FOR ILLUSTRATION PURPOSE ONLY

SL. NO.	NOMINAL BORE	TOTAL LENGTH (L)	BELLOWS	
	mm	(+/-5mm)	CORRS	A
1	20	650	22+22+22	115
2	25	650	22+22+22	115
3	32	680	22+22+22	154
4	40	680	20+20+20	150
5	50	680	26+26	190

LARGER SIZES ON REQUEST

■ CONSTRUCTION		
ITEM	PARTS	MATERIAL
1	BELLOWS	SST304 (2 PLY)
2	TUBE	CARBON STEEL
3	GUSSET	CARBON STEEL
4	TIE RODS	CARBON STEEL
5	INNER SLEEVE	SST304
6	FLANGE	CARBON STEEL

OTHER MATERIALS/FINISH AVAILABLE ON REQUEST

STANDARD FINISH
FLANGES / GUSSETS : GALVO PAINT
CONTROL ROD : ZINC PLATED
& HARDWARE